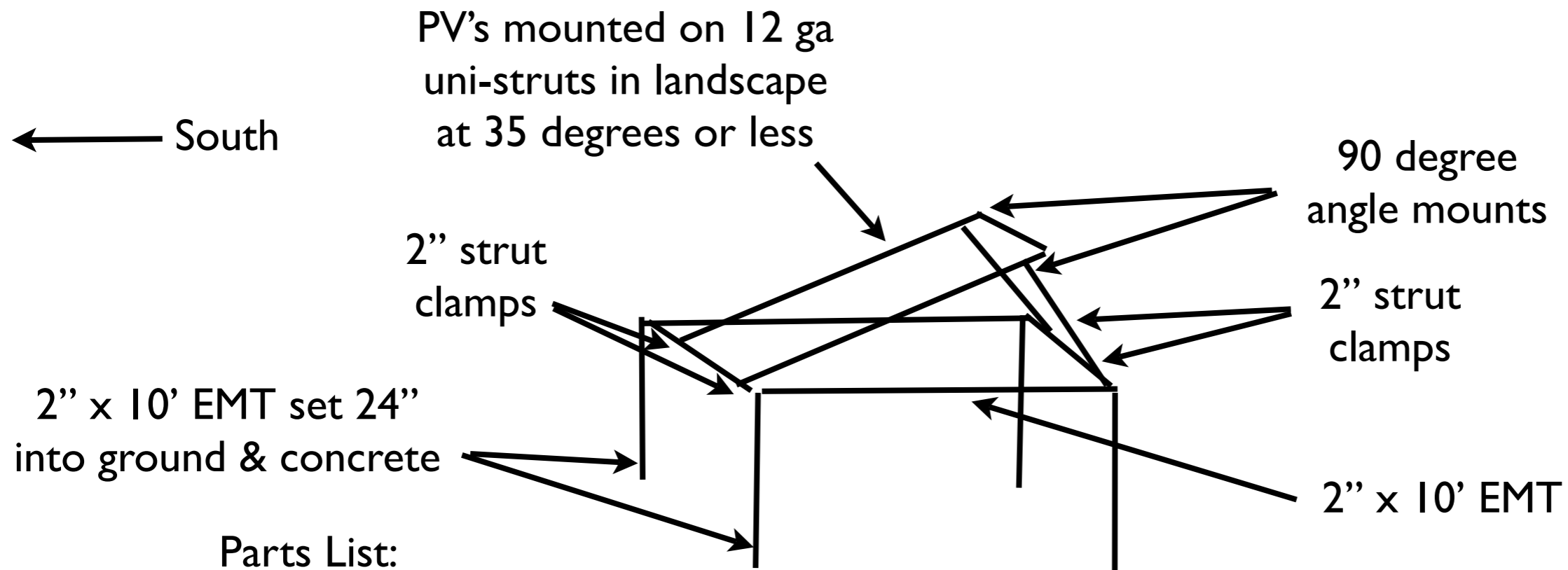


DINE' PV SHADE HOUSE

“Sha' chaha'oh”



Parts List:

8 EMT @ \$17 = \$136
 4 struts @ \$23 = \$92
 4 bags concrete = \$14
 4 90 D. angles = \$12
 4 clamps = \$16
 8 x 2" corners = \$20
 Misc. = \$10

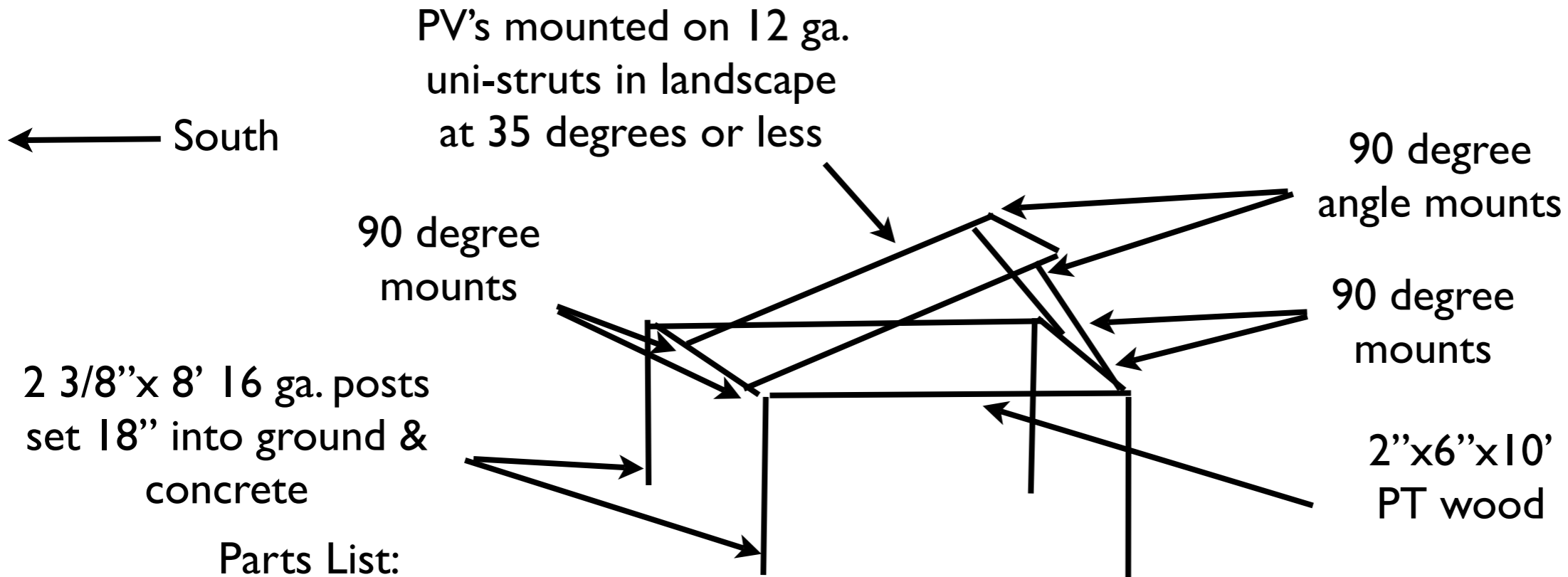
Total: \$300

Parts list mounted
 on existing Chaha'oh:
 4 struts @ \$23 = \$92
 4 90D. angles = \$12
 4 clamps = \$16
 Misc. = \$5

Total: \$125

DINE' PV SHADE HOUSE

“Sha' chaha'oh”



Parts List:

| | |
|----------------------|-------|
| 4 2-3/8" @ \$20.50 = | \$82 |
| 4 struts @ \$23 = | \$92 |
| 4 bags concrete = | \$14 |
| 6 90 D. angles = | \$18 |
| 4 x 2 3/8" corners = | free |
| Screws & bolts = | \$20 |
| 4 x 260w PV's = | \$600 |

Total: \$826

Parts list (mounted on existing Chaha'oh):

| | |
|-------------------|-------|
| 4 struts @ \$23 = | \$92 |
| 6 90D. angles = | \$18 |
| Misc. = | \$5 |
| 4 x 260w PV's = | \$600 |

Total: \$715

